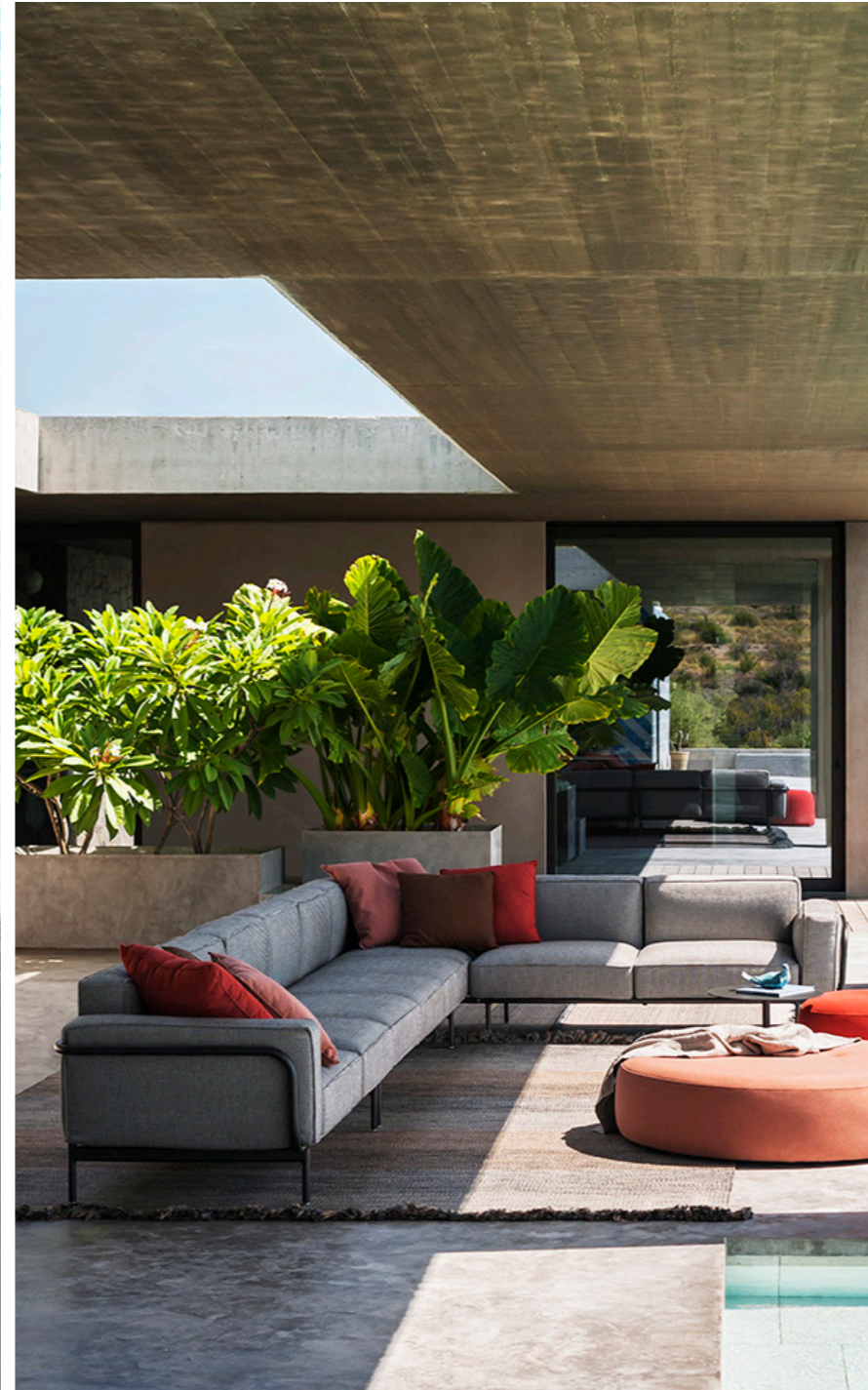


Estendo 312 Three-seater Left Module

Design Luca Pevero

Technical Information



Its linear design and extensible modularity promote the flexibility of an elegant, highly functional sofa. ESTENDO is a new line of seating. In all simplicity, it unites straight lines and curves thanks to disappearing joints in the aluminium frame that holds the cushions. The seats of the armchair and sofa are welcoming and commodious. Modules with or without armrests are available in different configurations, including corner elements. A very comfortable set that adapts to the space and extends harmoniously.

TECHNICAL INFORMATION

DESCRIPTION
Sofa for outdoor use.

STRUCTURE
Powder coated aluminium; slats in polypropylene reinforced with fibreglass.

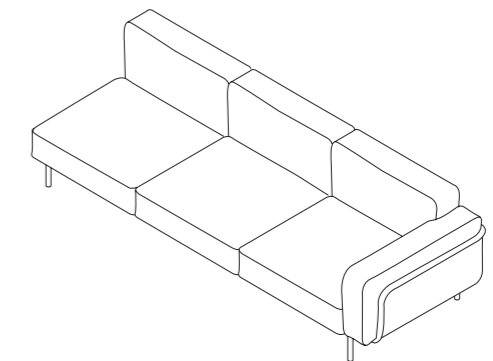
STORAGE COVER
Available.

WEIGHT
Structure 16kg

STORAGE COVER
Available.

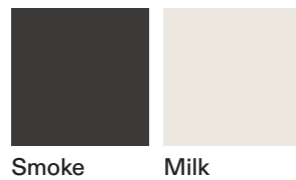
DIMENSION
L 243 x P 84 x H 72 cm
H seat 37 cm

W 95³/₄ x D 33¹/₄ x H 28³/₈
H seat 14¹/₂



Materials

METAL



Smoke

Milk